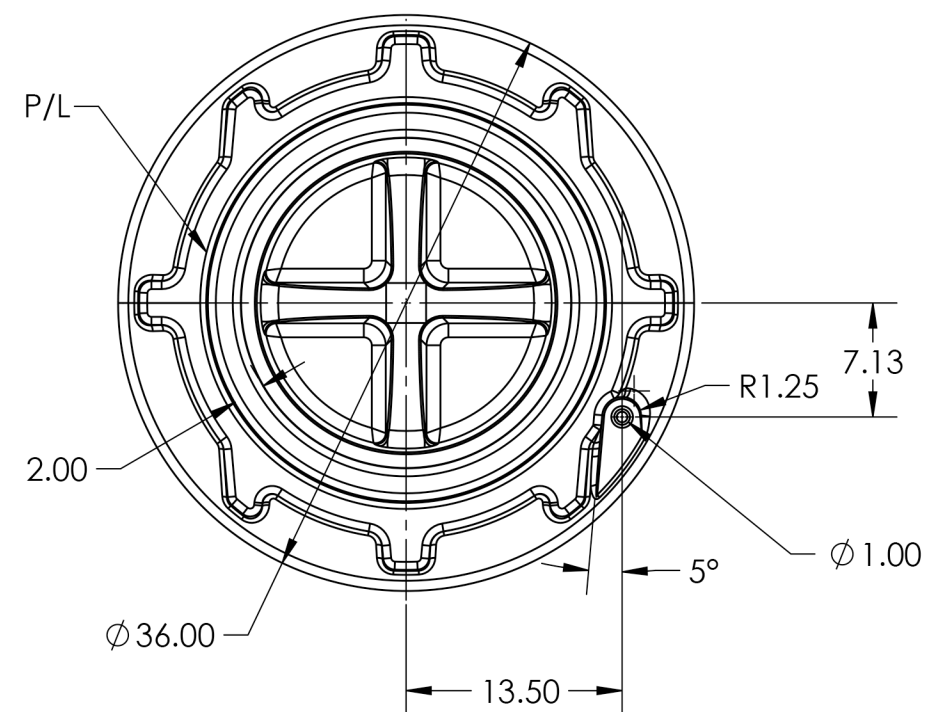
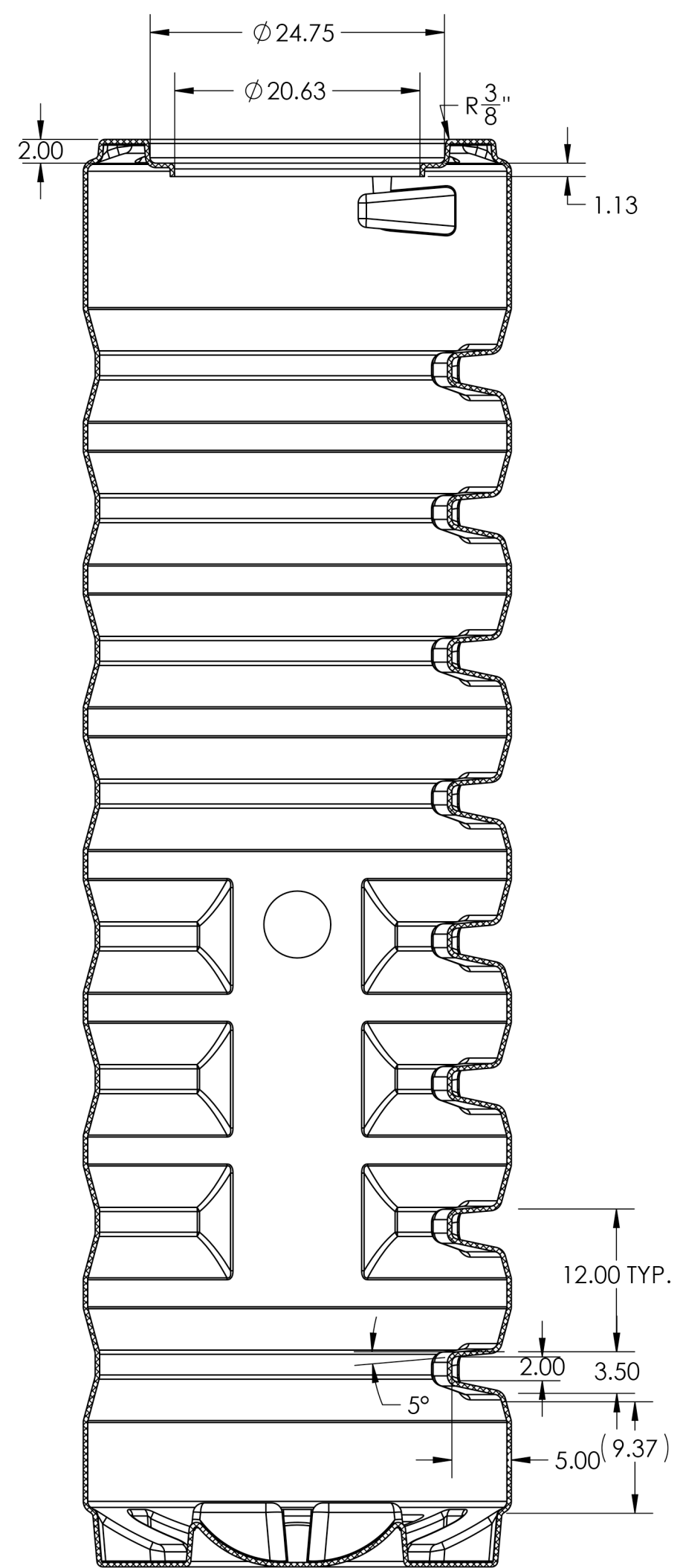
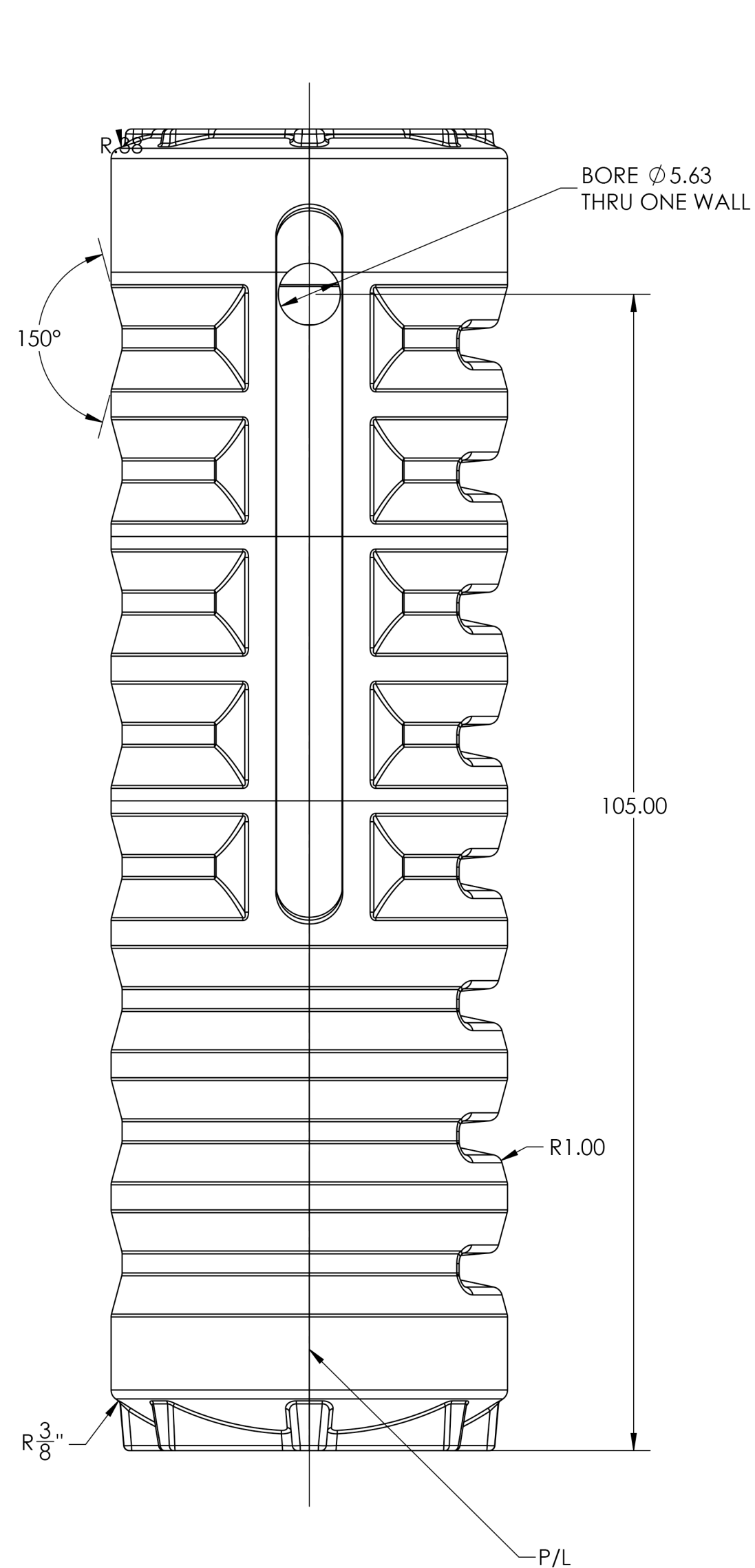
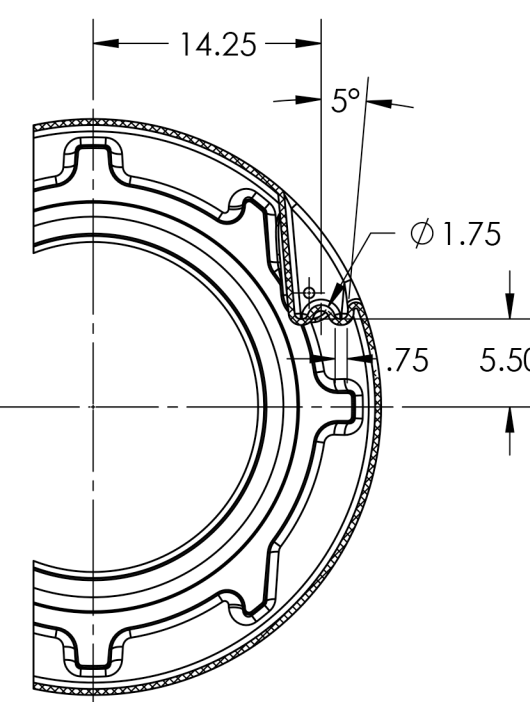


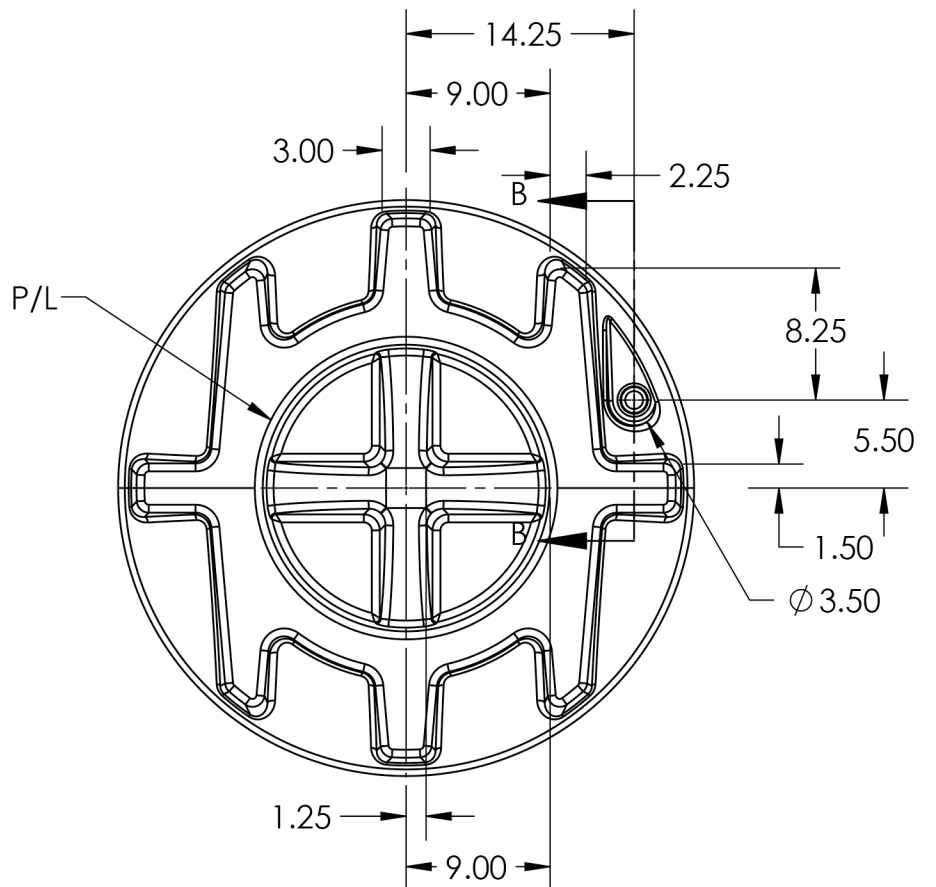
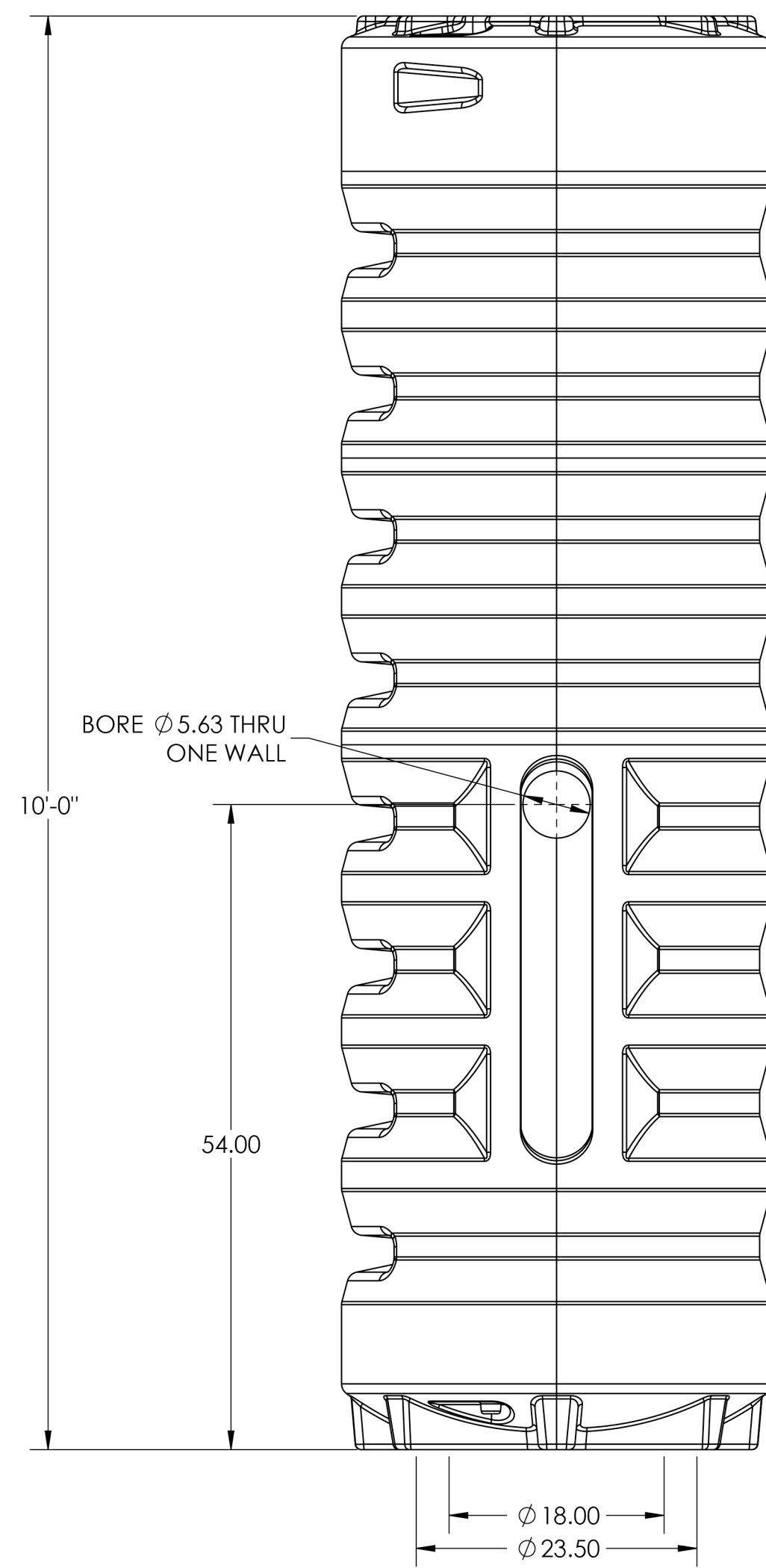
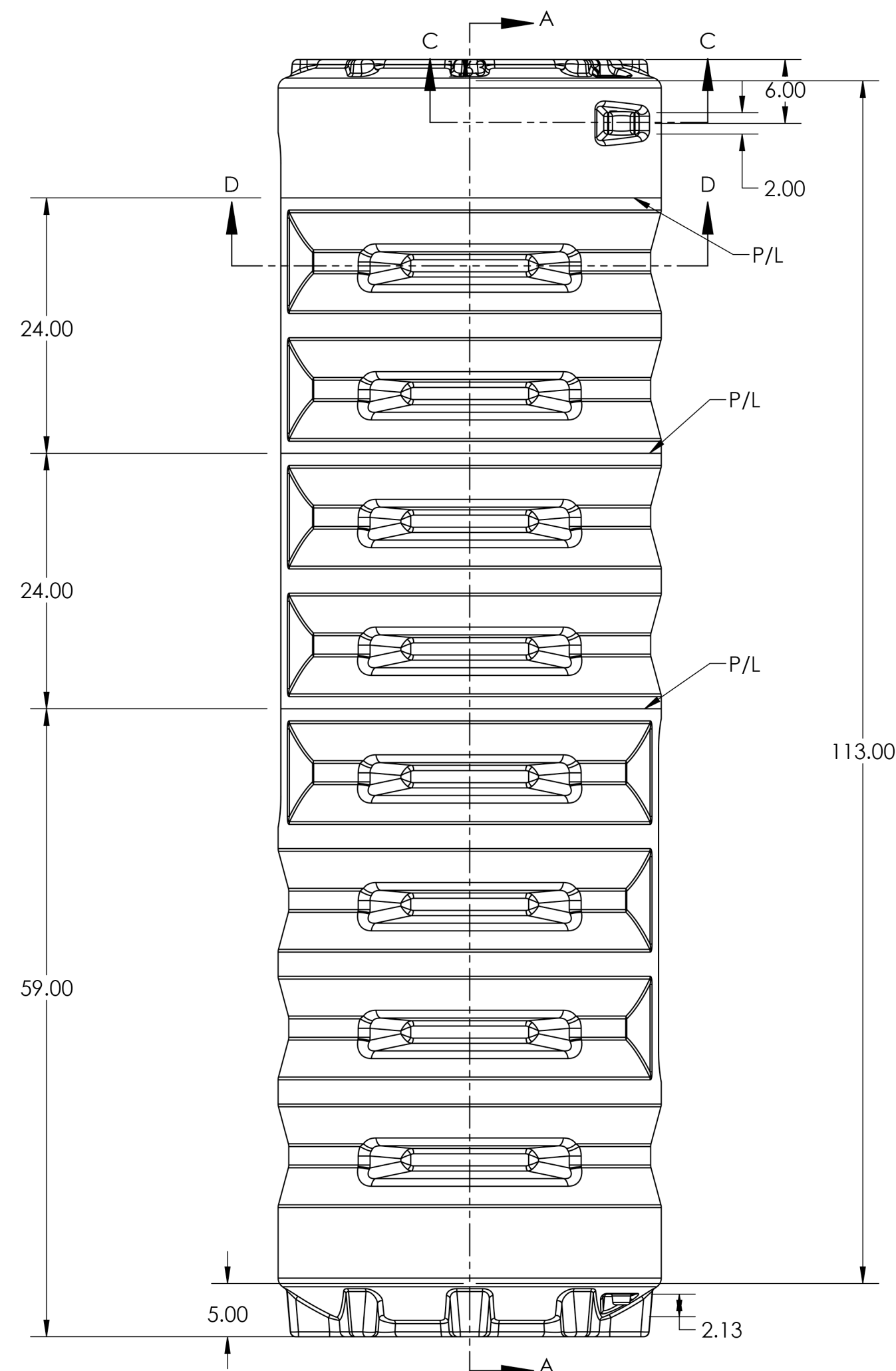
SECTION D-D



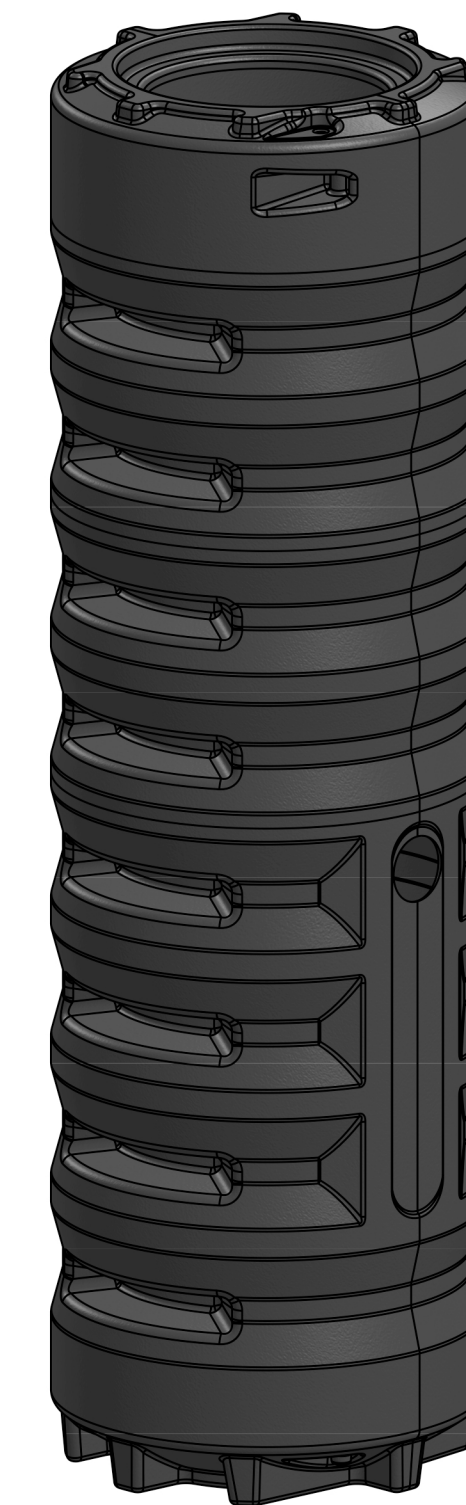
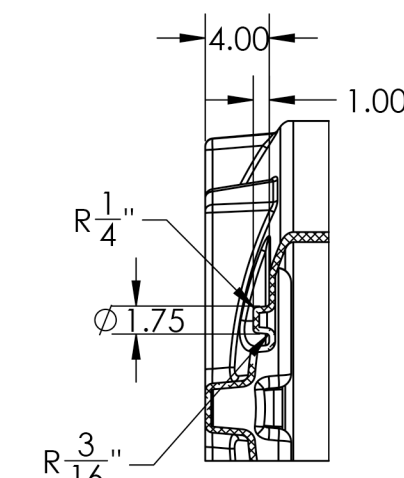
SECTION C-C



SECTION A-A



SECTION B-B



PROPRIETARY AND CONFIDENTIAL
THE INFORMATION CONTAINED IN THIS DRAWING IS THE SOLE PROPERTY OF GREER TANK & WELDING. ANY REPRODUCTION IN PART OR AS A WHOLE WITHOUT THE WRITTEN PERMISSION OF GREER TANK & WELDING IS PROHIBITED.

UNLESS OTHERWISE SPECIFIED:	
DIMENSIONS ARE IN INCHES	
TOLERANCES:	
FRACTIONAL: ±	
ANGULAR: MACH ±	BEND ±
TWO PLACE DECIMAL ±	
THREE PLACE DECIMAL ±	
INTERPRET GEOMETRIC TOLERANCING PER:	
MATERIAL:	

Blue-Reed, LLC		
NAME	DATE	
GFS	1/30/14	
DRAWN		
CHECKED		
ENG APPR.		
MFG APPR.		
Q.A.		
COMMENTS:		

GREER TANK & WELDING

TITLE:
10 FT. LIFT STATION

SIZE DWG. NO. REV
D Lift Station Body 6C

SCALE: 1:12 WEIGHT: SHEET 1 OF 3