

GREER

Steel • Tanks • Welding • Waterjet Cutting

GREER TANK, INC.'S LIMITED WARRANTY FOR ITS MANUFACTURED PLASTIC SEPTIC TANK (SOLD IN ALASKA ONLY)

(A) Greer Tank, Inc. (GTI) warrants that the Plastic Septic Tank it manufactures, when installed and operated in accordance with Greer Tank, Inc.'s installation instructions and local regulation, by a licensed installer, is warranted to you against defective materials and workmanship for Five (5) years after installation. GTI will, in its sole discretion, (1) repair the product or (2) replace the product /and or materials or (3) refund the purchase price. GTI's liability expressly excludes the cost of removal and/or installation of the Plastic Septic Tank. This also provides a warranty against structural failure for a properly installed tank.

(B) In order to exercise your warranty rights, you must notify GTI in writing at GTI's operation where you purchased the Plastic Septic Tank, Anchorage, Alaska or in Fairbanks, Alaska, within twenty (20) days of your being aware of the alleged defect. This warranty does not apply to any Plastic Septic Tank, that in GTI's judgment has been subject to misuse, neglect, or accident or which has been damaged through abuse, alteration, improper installation or application, or negligence in use, storage, transportation or handling, or repaired by anyone other than GTI. The warranty does not cover any transportation costs for return of the Plastic Septic Tank, any other reshipment for any repaired or replaced Plastic Septic Tank, or cost associated with installation, removal or reinstallation of the Plastic Septic Tank.

(C) This limited warranty is the EXCLUSIVE WARRANTY given by GTI and supersedes any prior, additional or subsequent representations, whether oral or written. GTI DISCLAIMS and EXCLUDES all other warranties, whether express or implied, including any WARRANTIES of MERCHANTABILITY, fitness for a particular use and any type of implied warranty. No person, including any employee of GTI, agent of GTI, or dealer of this product is authorized to make any other representation or change this limited warranty.

This warranty shall be void if:

- a. The Greer septic tank is not installed in accordance with the installation instructions supplied by Greer.
- b. The Greer Septic Tank is not installed by an installer who is certified to install septic tanks in accordance with any and all local or state regulations or requirements.
- c. Maintenance, including pumping to remove sludge accumulation, is not performed in accordance with local recommended maintenance procedures and schedules.

(D) Provided that five (5) years from the time of purchase has not passed, you may assign this limited warranty to a subsequent purchaser of your home for the remainder of the warranty period.

(E) GTI states the Plastic Septic Tank shall be free of defects in materials and workmanship and under normal applications, following local regulations and GTI's installation instructions, use and service conditions, GTI will, in its sole discretion, either repair or replace the product, or refund the purchase price, if the product becomes damaged due to a defect in material or workmanship. This limited warranty shall not apply if any component or part used in the Plastic Septic Tank manufactured by others are determined to be the cause of a defect.

(F) Your exclusive remedy to any and all losses or damages resulting from any cause whatsoever shall be limited to the remedies expressed in paragraph A and E above. GTI shall not, under any circumstances be liable for any consequential, exemplary (punitive), or incidental damages.

Date of Purchase: _____

PESE Serial #: _____

Receipt of Warranty & Install Signature: _____

***Attach Sales receipt to this warranty for proof of purchase.**

GREER

Steel • Tanks • Welding • Waterjet Cutting

UNDERGROUND POLYETHYLENE SEPTIC AND WATER TANK INSTALLATION INSTRUCTIONS – 10' MAXIMUM BURIAL DEPTH

GENERAL INFORMATION

1. Check with the governing authority for specific installation requirements for underground tank systems. Such requirements shall have precedence.
2. Do NOT use septic tank as water storage tank.
3. Do NOT install this tank beneath vehicular or heavy equipment traffic.
4. Tanks are approved for a maximum burial depth of 10' above the top of the tank, and a maximum earth cover load of 1280 lbs/sf and a maximum of 24" of water above top of tank for 10' burial.
5. Failure to install tank in accordance with these instructions or with the local governing authority's requirements voids warranty of this tank.
6. Tank is not fire-resistant. Do NOT expose to open flame or heat in excess of 120°F.
7. Handle with care. A severe impact can crack the tank.

EXCAVATION

1. Depth: Tank Height plus 10' maximum.
2. Manhole covers or proper riser assemblies must be installed per page 2 of installation instructions prior to final backfill.
3. Bottom of excavation must be flat, level, solid and well-drained.
4. Before placing tank, check:
 - a. Serial number, record for warranty form.
 - b. Orientation of Inlet and Outlet (septic tank only).
 - c. Shipping damage.
5. After placing tank, use a level to make sure tank is level. (Septic tank: outlet will be 2" below level of Inlet).
6. Make sure that backfill all around the tank consists of sand/gravel of 1 ½" minus with about 50% total volume smaller than ¼" and that it is properly placed and compacted around the lower portion of the tank.
7. Do not machine compact close to tank.
8. Backfill material to be free of organic materials, large or sharp rocks larger than stated in 6 above or excess large clods of soil on or near the tank
9. Check leveling of tank periodically during back filling.
10. Compact backfill under inlet and outlet pipes where pipes cross excavated area.
11. Make septic connections to pre-plumbed tank only when tank is unlikely to shift during remaining backfilling.
12. Final backfill to be per 6 above, sand/gravel mix of 1 ½" minus with 50% being ¼" minus all around and 12" above top of tank.
 - a. Native soil may be used as backfill so long as it complies with 6 and 12 above.

IN AREAS OF POSSIBLE HIGH WATER TABLE AND IN THE MUNICIPALITY OF ANCHORAGE

- Buoyancy control measures may be required if tank is to be installed in water table. These control measures shall be addressed by an Alaska Licensed Engineer

GREER

Steel • Tanks • Welding • Waterjet Cutting

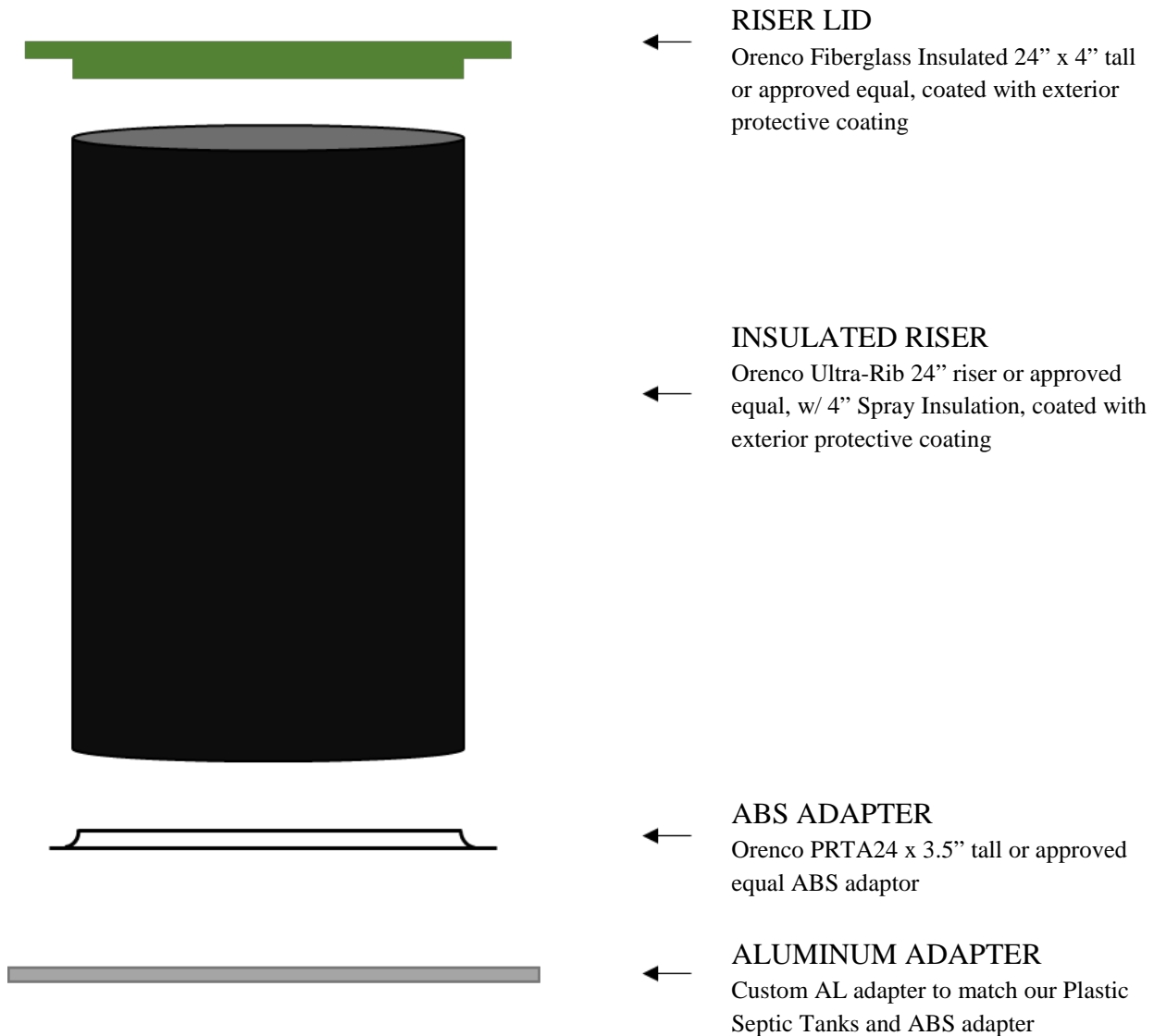
POLYETHYLENE SEPTIC TANK RISER INSTALLATION INSTRUCTIONS:

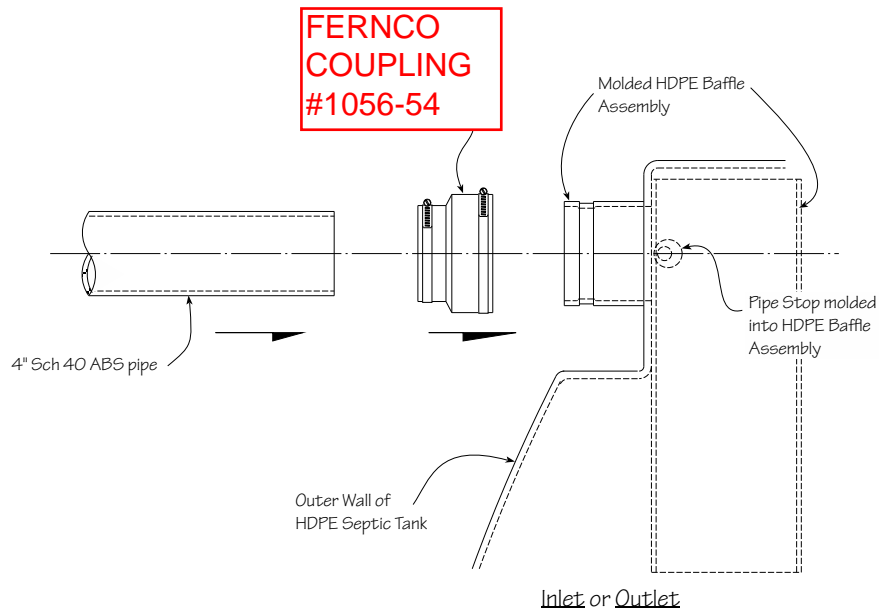
STEP 1: REMOVE SEPTIC TANK MANHOLE LID, LEAVE FOAM GASKET

STEP 2: RE-USE FOAM GASKET AND BOLT DOWN ALUMINUM ADAPTER ONTO SEPTIC MANHOLE

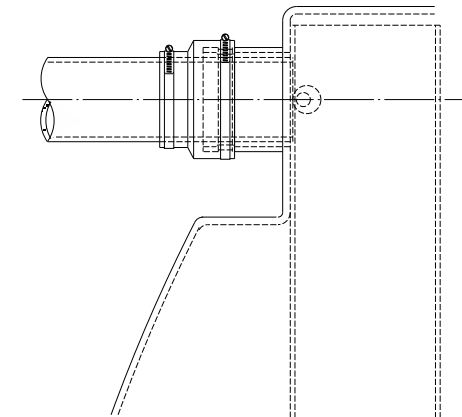
STEP 3: BOLT & GLUE (MA320 or approved equal) ABS ADAPTER ONTO ALUMINUM ADAPTER

STEP 4: GLUE (MA320 or approved equal) INSULATED RISER ONTO ABS ADAPTER





Connecting Inlet/Outlet to ABS Pipe



Completed Connection

Instructions

1056-54

1. Loosen stainless steel clamps on Fernco ~~#1006-44~~ coupling. Do NOT remove.
2. Slide Fernco coupling onto Inlet or Outlet collar.
3. Tighten larger stainless steel band to 60 inch-lbs torque.
4. Apply small amount of liquid dish detergent to inside of small side of Fernco coupling.
5. Slide 4" sch 40 ABS inside Fernco adaptor until it will go no further (a molded in pipe stop in the inlet or outlet baffle will stop the pipe).
6. Tighten second stainless steel band to 60 inch-lbs torque.

These drawings represent a proprietary design of Greer Tank & Welding and may not be used for source design or procurement purposes by other than Greer Tank & Welding

GREER TANK & WELDING

**HD Polyethylene Septic Tank
Inlet/Outlet Collar Installation Detail**

Dwn by: dmj

Not to Scale

© May 22, 2009

Page 1 of 1

Dwg No. 090511